

Lighting Connection

Lighting creates an impression. Klik, our lighting connection system provides the roots to a buildings lighting system, allowing it to adapt and grow with ease. Controls, including occupancy sensors, ensure that light is only available when needed and tailored to a users needs.



Klik

Klik 7	3.3
--------	-----

Klik 4	3.13
--------	------

Controls

Klik 7 Controls	3.7
-----------------	-----

Klik 4 Controls	3.17
-----------------	------

Special Application Controls	3.8
------------------------------	-----

Technical Pages	3.19
-----------------	------



KLMB6WG

Marshalling Boxes - Wire In, Plug Out

Characteristics:

- The KLMB marshalling box allows the connection and control of multiple luminaires. The marshalling box utilises a robust extruded aluminium body.
- 7 Pole.
- 6 & 12 outlets.
- 16A Rated BS 5733:2010 .
- Short circuit tested: 1500A conditional rating.

Description	Cat ref.
Marshalling Box, Single Supply, Wire In, Plug Out	
6 Way	KLMB6WG
12 Way	KLMB12WG



KLMB5P

Marshalling Boxes - Plug In, Plug Out

Characteristics:

- The KLMB marshalling box allows the connection and control of multiple luminaires. The marshalling box utilises a robust extruded aluminium body.
- 7 Pole.
- 5, 7, 9 & 11 outlets.
- 16A Rated BS 5733:2010 .
- Short circuit tested: 1500A conditional rating.

Description	Cat ref.
Marshalling Box, Single Supply, Plug In, Plug out	
5 Way	KLMB5P
7 Way	KLMB7P
9 Way	KLMB9P
11 Way	KLMB11P

Klik 7 Pre-wired Plugs

Characteristics:

- Connections to luminaire is made via pre wired plug and lead. All leads are low smoke zero halogen and carry CPR rating Dca- S1b, d2, a2.
- Standard, digital and emergency luminaires.
- Short circuit tested: 1500A conditional rating.
- Cable standard EN 61535.
- New for 2019 - references with 1m cable length will be provided as 1.5m.

We have recently improved our range of Klik 7 pre-wired leads. As part of this process, we have changed how our part references work. For example **K7B3M075W** will now become **K7B3M075WDCA**. For a full supersession chart, see page 3.21.



K7B3M075WDCA

K7 Range	B Function	3M Length	075 Core Size	W Wired or Plug End	DCA CPR Rating
Z Link Lead, Power, Emergency, Switched Line, Control	B Standard Luminaire			E Emergency Exit Luminaire	
J Standard Luminaire, Emergency	F Switch Drop Lead			P Dimmable Luminaire	
T Dimmable Luminaire, Emergency					

Description	Cat ref.
Pre-wired Plugs for Standard Luminaires	
6A Luminaire Lead 3m 0.75mm ² 3 Core Plug to Wire	K7B3M075WDCA ★
6A Luminaire Lead 5m 0.75mm ² 3 Core Plug to Wire	K7B5M075WDCA ★
10A Luminaire Lead 3m 1mm ² 3 Core Plug to Wire	K7B3M1WDCA ★
10A Luminaire Lead 5m 1mm ² 3 Core Plug to Wire	K7B5M1WDCA ★
16A Luminaire Lead 5m 1.5mm ² 3 Core Plug to Wire	K7B5M15WDCA ★
10A Luminaire Lead 3m 1mm ² 4 Core Plug to Wire	K7J3M1WDCA ★
10A Luminaire Lead 5m 1mm ² 4 Core Plug to Wire	K7J5M1WDCA ★
Pre-wired Plugs for Emergency Exit Luminaires	
16A Luminaire Lead 3m 1.5mm ² 3 Core Plug to Wire	K7E3M15WDCA ★
16A Luminaire Lead 5m 1.5mm ² 3 Core Plug to Wire	K7E5M15WDCA ★
16A Luminaire Lead 7m 1.5mm ² 3 Core Plug to Wire	K7E7M15WDCA ★



K7T3M075WDCA

Klik 7 Pre-wired Plugs for Dimmable Luminaires

Description	Cat ref.
Pre-wired Plugs for Dimmable Luminaires	
6A Luminaire Lead 1.5m 0.75mm ² 5 Core Plug to Wire	K7P1M075WDCA ★
6A Luminaire Lead 3m 0.75mm ² 5 Core Plug to Wire	K7P3M075WDCA ★
6A Luminaire Lead 5m 0.75mm ² 5 Core Plug to Wire	K7P5M075WDCA ★
6A Luminaire Lead 7m 0.75mm ² 5 Core Plug to Wire	K7P7M075WDCA ★
10A Luminaire lead 1.5m 1mm ² 5 core Plug to Wire	K7P1M1WDCA ★
10A Luminaire Lead 3m 1mm ² 5 Core Plug to Wire	K7P3M1WDCA ★
10A Luminaire Lead 5m 1mm ² 5 Core Plug to Wire	K7P5M1WDCA ★
10A Luminaire Lead 7m 1mm ² 5 Core Plug to Wire	K7P7M1WDCA ★
16A Luminaire lead 1.5m 1.5mm ² 5 core Plug to Wire	K7P1M15WDCA ★
16A Luminaire Lead 3m 1.5mm ² 5 Core Plug to Wire	K7P3M15WDCA ★
16A Luminaire Lead 5m 1.5mm ² 5 Core Plug to Wire	K7P5M15WDCA ★
16A Luminaire Lead 7m 1.5mm ² 5 Core Plug to Wire	K7P7M15WDCA ★
Pre-wired Plugs for Dimmable Luminaires with Emergency	
6A Luminaire Lead 1.5m 0.75mm ² 6 Core Plug to Wire	K7T1M075WDCA ★
6A Luminaire Lead 3m 0.75mm ² 6 Core Plug to Wire	K7T3M075WDCA ★
6A Luminaire Lead 5m 0.75mm ² 6 Core Plug to Wire	K7T5M075WDCA ★
6A Luminaire Lead 7m 0.75mm ² 6 Core Plug to Wire	K7T7M075WDCA ★
10A Luminaire Lead 1.5m 1mm ² 6 Core Plug to Wire	K7T1M1WDCA ★
10A Luminaire Lead 3m 1mm ² 6 Core Plug to Wire	K7T3M1WDCA ★
10A Luminaire Lead 5m 1mm ² 6 Core Plug to Wire	K7T5M1WDCA ★



K7F5M1WDCA

Klik 7 Pre-wired Plugs for Switch Drops

Characteristics:

- The switch drop pre-wired lead allows plug in switch to KLMB connection. All leads are low smoke zero halogen and are factory connected and tested.
- 16A Rated.
- Short circuit tested: 1500A conditional rating.
- Cable standard BS 7211.
- **Note: for other switch drop options, use wireable plug, see page 3.22.**

Description	Cat ref.
Pre-wired Plugs for Switch Drops	
10A Switch Drop Lead 5m 1mm ² 4 Core Plug to Wire	K7F5M1WDCA ★
10A Switch Drop Lead 10m 1mm ² 4 Core Plug to Wire	K7F10M1WDCA ★
10A Switch Drop Lead 15m 1mm ² 4 Core Plug to Wire	K7F15M1WDCA ★

Klik 7 Pre-wired Marshalling Box Link Leads

Characteristics:

- The link leads are used to connect KLMB to KLMB. All leads are low smoke zero halogen and are factory connected and tested. Note: to ensure correct link lead selection see the connection key on page 3.4 .
- 1.5mm² CSA.
- 3m, & 5m lengths.
- Standard, Digital and Emergency Luminaires.
- 16A Rated.
- EN 61535.
- Short circuit tested: 1500A conditional rating.



K7Z3M15PDCA

Description

Cat ref.

Pre-wired Link Leads - L, N, SL, CPC, DA+, DA-, Emergency

16A Link Lead 5m 1.5mm² 7 Core Plug to Plug

K7Z5M15PDCA ★

Ceiling Roses

Characteristics:

- 7 Pole conduit box / surface connector to allow the easy connection of digital lighting within traditional fixed wire installations. The connector is fitted directly to trunking or conduit allowing the luminaire to be connected / disconnected via the pluggable luminaire lead.
- 7 Pole.
- 16A Rated.
- Standards: BS 5733:2010.
- Short circuit tested: 1500A conditional rating.



KLPCR7

Description

Cat ref.

16A 7 Pin Ceiling Rose

KLPCR7

Wireable / Rewireable Plug

Characteristics:

- 7 Terminal plug, enabling you to make leads on site to the configuration required.
- Complies with BS EN 61535-2009+A1-2013
- Enables you to add the plug after cable routing, for example when cables pass through walls.



K7PLUG

Description

Cat ref.

16A Wireable Klik 7 Plug

K7PLUG



EE816



EED503



EED513



EE807

Occupancy Sensors with Remote Programming & Control Options

- **EE816** - Detector for control of digital (DSI/DALI) luminaires
- Direct control of a light load.
- Lux level and ON delay adjustable via potentiometers or **EE807** remote control.
- DALI/DSI bus output accommodates up to 24 ballasts.
- 230V wall switch override.
- Presence or absence detection available.
- Presence or Absence detection available.
- Programmable from **EE807**
- 7m Range
- **EE807** - IR programming tool
- Installer remote control to commission settings.
- **EE808** - IR remote control
- Customer remote control for override operation.
- Complies with EN 60669-2-1.
- **EED503, EED513, EER503, EER513** -
- For spaces requiring modern, high-performance equipment
- Can be adjusted with the EE807 remote control
- Controlled with the EE808 remote control
- Can function as both master and slave
- Zero-crossing contact compatible with LED loads
- LED status visible on the front of the product
- 20m Range
- Commercial applications, office floors, reception areas, high traffic areas

Description	Cat ref.
Wireable Digital PIR Occupancy Sensor - Dimmable & Daylight Linked	EE816
Large area motion/presence detector 20 m, DALI 2 flush mounted	EED503 ★
Large area motion/presence detector 20 m, DALI 2 surface mounted	EED513 ★
Large area motion/presence detector 20 m, ON/OFF flush mounted	EER503 ★
Large area motion/presence detector 20 m, ON/OFF surface mounted	EER513 ★
Programming Tool	EE807
Remote Control for the End User	EE808
Backbox Accessory for Surface BESA Detectors	EEK005

High Bay, High Ceiling Detector



EED518

- **EED518, EER518** -For spaces requiring modern, high-performance equipment.
- Can be adjusted with the EE807 remote control
- Controlled with the EE808 remote control
- Can function as both master and slave
- Zero-crossing contact compatible with LED loads
- LED status visible on the front of the product
- Commercial applications, high ceilings, storage warehouse

Description	Cat ref.
Motion detector for high ceilings 22 x 12 metres, DALI 2 surface mounted	EED518 ★
Motion detector for high ceilings 22 x 12 metres, ON/OFF surface mounted	EER518 ★

Occupancy Sensors

Characteristics

EE810, EE811 and EE812

- High performance presence detector that will be used in premises or in passage areas, where they increase comfort and reduce drastically the energy costs.

Combination of a presence area and a motion area.

- The presence area is especially interesting in offices, where the motion area may be used in long corridors.
- Head rotation for detection area adjustment.
- Settings via potentiometers.

Applications

EE810 - 1 channel detector

- Direct control of a light load or used as a slave for detection area enlargement.
- Lux level and ON delay setting via potentiometers.
- Test mode in order to set lux level and the detection pattern.

EE811 - 2 channels detector

- Light relay output for direct control of a light load.
- Presence output potential free relay.
- Lux level, on delay setting for light channel and presence channel via potentiometers.
- Input for slave (EE810) and/or override push button.

EE812 - Light regulator 1/10V

- Light regulator with 1/10V output in order to control electronic ballasts and/or Hager dimmers EV100/EV102.
- Detector especially dedicated for energy saving and comfort purpose.
- Input for slave (EE810) and/or override pushbutton in order to modify the setpoints.
- Lux level, On delay for light channel and min level via potentiometers.
- 3 functional modes : no dimming, dimming with local setpoint, dimming with remote setpoint.

EE813 : accessory to surface mounting.

Complies with IEC 60 609-1 and 60 669-2-1.

Description	Cat ref.
Presence detector 1 channel	EE810
Presence detector 2 channels	EE811
Presence detector 1/10V	EE812
Mounting accessory for surface mounting can be used with EE810, EE811, EE812	EE813
Presence detector monobloc on/off, switched phase 16A AC1 230V, power supply: 230V AC, 360°	EE815
Presence detector monobloc DALI/DSI for lighting regulation, power supply: 230V AC, 360°	EE816



EE810

Hyper Frequency Detector

Characteristics:

- The detection range diameter is adjustable from one to eight metres. The hyper frequency sensor allows for detection of movement through partitions (drywall, wood, glass) independent of temperature detection.

Features

- 230V AC.
- IP54 rated.
- Detection area 360°.
- Complies with BS EN 60669-1, BS EN 60669-2-1.

Description	Cat ref.
360° Hyper Frequency Sensor	EE883
Protection Basket for Hyper Frequency Sensor	EEK006



EE883

Corridor Motion Detector

EE880 - Infra-red corridor motion detector for surface mounting.

- 230V AC.
- IP54 rated.
- Detection zone of 4m x 20m.
- Overrun timer from 5 seconds to 15 minutes.
- Complies with BS EN 60669-1 & BS EN 60669-2-1.
- **EE805, EE815, EER805, EER815** -For spaces requiring modern, high-performance equipment
- Can be adjusted with the EE807 remote control
- Controlled with the EE808 remote control
- Can function as both master and slave
- Zero-crossing contact compatible with LED loads
- LED status visible on the front of the product
- 30x5m Range

Description	Flush Cat ref.	Surface Cat ref.
PIR Corridor Motion Detector 4x20 metres		EE880
Corridor motion detector 30 x 5 metres ON/OFF	EE805 ★	EER815 ★
Corridor motion detector 30 x 5 metres DALI 2	EE805 ★	EED815 ★



EE880



EE820

Motion Detectors

Characteristics:

- These devices are made for automatic control of lighting in both the residential and private/public industry sectors.
- They automatically switch on lighting when a person's movement is detected and light is needed. The lights turn off after a preset duration.

EE820/821, EE830/831, EE840/841, EE825/826, EE827/828

- This waterproof detector range (IP55) is mainly dedicated to outdoor applications.
- They are equipped with Fresnel lenses that permit to get a high detection performance.
- Detector 140° for access control and perimeter lighting
- 200° models to survey a house facade
- 360° to cover a house corner
- The fixing accessories allow ceiling and corner mounting.
- Settings: The timer and the lux level are set locally, via potentiometer.

Complies to IEC 60 669-1 and 60 669-2-1.

Standard IR Detectors

Characteristics:

- Surface
- 230 V~ 50/60 Hz
- Lux: 5 to 1000 lux
- Timer: pulse, 5s to 15 min
- Contact 10A AC1

Description	Version	Cat ref.
Standard wall-mounted IR detectors		
Phase outlet 230V 10A resistive	140° white	EE820
	140° anthracite	EE821
	200° white	EE830
	200° anthracite	EE831
Dry contact outlet 230V 10A resistive	360° white	EE840
	360° anthracite	EE841



EE850

Description	Version	Cat ref.
Enhanced wall-mounted IR detectors		
Dry contact outlet 230V 16A resistive setting and override through IR remote control	140° white	EE850
	140° anthracite	EE851
	220° white	EE860
	220° anthracite	EE861
	220/360° white	EE870
	220/360° anthracite	EE871
IR remote control for enhanced detectors, setting and lighting control functions		EE806



EE825

Description	Version	Cat ref.
Mounting accessories		
Corner mounting accessories for standard 140° and 200°detectors	white	EE825
	anthracite	EE826
Corner mounting accessories for standard 360° enhanced & radio TRExxx detectors	white	EE855
	anthracite	EE856
Ceiling mounting accessories for standard 140° and 200°detectors	white	EE827
	anthracite	EE828



Klik LCM

Lighting Control Module



Most lighting control requires commissioning.

Klik LCM can be set up using our easy programming tool KlikLink, allowing quick and easy commissioning, whether completed by the contractor or a commissioning engineer.

:hager

Klik

Lighting Control Module



Klik LCM's (Lighting Control Module) enable the control of an area with up to 4 different control groups. Each group of outputs can control standard switched and/ or digital dimmable (DALI/ DSI) luminaires. The control module can be connected to up to 4 SELV occupancy sensors and up to 4 wall switch overrides (double retractive, centre off). Any switch or occupancy sensor can be assigned to any output. The programming is carried out with iPad and communicates with the LCM via Bluetooth.



SELV Switching / Dimming

Each channel is capable of being switched via one of 4 or more switch inputs.



Sensor with integral lux sensor (SELV)

This allows daylight dimming and switching utilising any natural light available



Scene setting

4 lighting scenes are possible (plus global Up/ Down-On/Off) controlled via centre-off 2 pole retractive grid switch modules and 2 separate scene profiles are available.



Partition switch

This allows total and separate control of a room with a partition and switch fitted.



Corridor hold

Linking LCMs with RJ45 lead to hold designated corridor area



Integral emergency test timers

Emergency test carried out via an emergency test switch (can be set for up to 5 hours). Whilst on test the other luminaires will dim to a pre-set value.



Presence & absence sensing

Each output channel can be set to Presence or Absence individually.



Light level offset between channels

This function allows phasing channels to set as a percentage of the lead channel. (E.g. 10%, 60%, 80%, 100%)



Three level timeout

At timeout, lighting can turn Off or Dim down in three stages.



Dimming - DSI, DALI (Broadcast)

Broadcast on the required channel to all connected luminaire

Lighting Control Module with KlikLink

Characteristics:

- The KLCM allows connection and control of multiple luminaires with four separate channels.
- Switching, dimming (DSI & DALI), corridor hold, partition switching, daylight switching & dimming, scene settings, integral emergency test times, reset profiles, light level offset (channel to channel).
- Setting up of **KLCM** is accomplished via KlikLink app, available on iOS for iPad.



KLCM413WETBT

Description	Cat ref.
13 Way 4 Channel LCM Wire in, Plug out, 230V EM Test Override	KLCM413WETBT
KlikLink iPad App	Search KlikLink in iPad App Store



KlikLink App (Shown on iPad, not included)

Lighting Control Module Occupancy Sensors

Characteristics:

- Klik SELV LCM occupancy sensors come complete with a 10m RJ11 lead and have integrated daylight sensing.
- Sensing options are selected via the KlikLink app (e.g. presence/absence).
- **KLCM-3OS** is designed for use as a corridor sensor.
- **KLCM-5OS** is designed for use as a whole room sensor.



KLCM-OS

Description	Range	Cat ref.
Klik LCM Occupancy Sensor with 1 Sensor Head	5m	KLCM-OS
Klik LCM Occupancy Sensor with 1 Sensor Head	10m	KLCM-10S
Klik LCM Corridor Sensor with 3 Sensor Heads	15 x 5m	KLCM-3OS
Klik LCM Wide Area Sensor with 5 Sensor Heads	15 x 15m	KLCM-5OS



KLCM-5OS

Lighting Control Module Switch Drop Leads (Grey)

Characteristics:

- RJ45 to switch (wire-in) lead available in a variety of lengths.
- SELV.
- Cables supplied standard with RJ45 plug on both ends.

Note: for retractable wall switch, please see below

Description	Cat ref. Red	Cat ref. Grey
RJ45 SELV Switch Drop Lead		
5m	KLO5RJ45R	KLO5RJ45G
10m	KLO10RJ45R	KLO10RJ45G
15m	KLO15RJ45R	KLO15RJ45G
20m	KLO20RJ45R	KLO20RJ45G
30m	KLO30RJ45R	KLO30RJ45G
40m	KLO40RJ45R	KLO40RJ45G
50m	KLO50RJ45R	KLO50RJ45G
RJ45 Splitter	KLORJ45CON	



KLO15RJ45G



KLO15RJ45R

User Controls

Characteristics:

- Our Sollsyta grid retractable wall switches make the perfect user control companion to the LCM.
- Other grid finishes are available, please see our Wiring Accessories catalogue for the full range.

Description	Cat ref.
Sollsyta Grid Retractable Wall Switch	
1 Gang Grid Plate	WMGP1
1 Gang Grid Frame	WMGF1
2 Way & Centre Off Retractable Wall Switch	WMGS13R



WMGS13R

Lighting, Connection & Control



KLDS4

Marshalling Boxes

Characteristics:

- Klik marshalling boxes are used in conjunction with Klik 3 and 4 pin plugs to connect luminaires within an area. The Klik marshalling box can be separated into two independently switched circuits. These circuits can be controlled via wall switch or occupancy sensor.
- Complies with BS 5733:2010.
- Main terminal rating: 16 Amps.
- Socket outlet rating: 6 Amps.
- Separate terminals for flexible conductors, rating: 10 Amps.
- Short circuit tested 1500A conditional rating.
- Socket outlets accept either Klik lighting (3 pin) plugs, Klik auxiliary (4 pin) plugs.



KLDS6BLACK

Description	White Cat ref.	Black Cat ref.
4 Way Klik Lighting Distribution Unit	KLDS4	
6 Way Klik Lighting Distribution Unit	KLDS6	KLDS6BLACK
8 Way Klik Lighting Distribution Unit	KLDS8	
10 Way Klik Lighting Distribution Unit	KLDS10	
12 Way Klik Lighting Distribution Unit	KLDS12	

3 Pin Pre-wired 6A Plug-in Ceiling Rose

Characteristics:

- 6A pre-wired plug-in ceiling roses are used to connect luminaires to a fixed wiring installation.
- Complies with BS 6972 and BS 5733:2010.
- Connections to luminaire is made via pre wired plug and lead. All leads are low smoke zero halogen and carry CPR rating Dca- S1b, d2, a2.
- All leads have prepared ends.



PCR2000/1.0

Description	Box Qty.	LSZH Cat ref.
6A Plug-in Ceiling Rose with 0.75mm² Flexible Cord		
1 Metre	10	K4PCR20001M075DCA ★
2 Metre	10	K4PCR20002M075DCA ★
3 Metre	5	K4PCR20003M075DCA ★
4 Metre	5	K4PCR20004M075DCA ★
6A Plug-in Ceiling Rose with 1mm² Flexible Cord		
2 Metre	10	K4PCR20002M1DCA ★
3 Metre	5	K4PCR20003M1DCA ★
4 Metre	5	K4PCR20004M1DCA ★
5 Metre	5	K4PCR20005M1DCA ★

4 Pin (Including Auxiliary) Pre-wired 6A Plug-in Ceiling Rose

Characteristics:

- Auxiliary 6A pre-wired plug-in ceiling roses are used to connect luminaires to a fixed wiring installation.
- Complies with BS 6972 and BS 5733:2010.
- PVC flexible cord complies with BS EN 50525-2-11.
- Connections to luminaire is made via pre wired plug and lead. All leads are low smoke zero halogen and carry CPR rating Dca- S1b, d2, a2
- All leads have prepared ends.



CR64AX/1.0

Description	Box Qty.	LSZH Cat ref.
6A Pre-wired Ceiling Rose with 0.75mm² Flexible Cord		
1 Metre	10	K4PCR64AX1M075DCA ★
2 Metre	10	K4PCR64AX2M075DCA ★
3 Metre	5	K4PCR64AX3M075DCA ★
4 Metre	5	K4PCR64AX4M075DCA ★
6A Pre-wired Ceiling Rose with 1mm² Flexible Cord		
2 Metre	10	K4PCR64AX2M1DCA ★
3 Metre	5	K4PCR64AX3M1DCA ★
4 Metre	5	K4PCR64AX4M1DCA ★
5 Metre	5	K4PCR64AX5M1DCA ★

3 Pin Pre-wired 6A Plugs

Characteristics:

- 6A pre-wired plugs are used to connect luminaires to a Klik ceiling rose or marshalling box. All leads have prepared ends.
- Complies with BS 6972 and BS 5733:2010.
- Connections to luminaire is made via pre wired plug and lead. All leads are low smoke zero halogen and carry CPR rating Dca- S1b, d2, a2.

Description	Quantity	LSZH Cat ref.
6A Pre-wired Plugs		
2 Metre	10	K4P222M075DCA ★
3 Metre	5	K4P223M075DCA ★
4 Metre	5	K4P224M075DCA ★
6A Pre-wired Plugs with 1mm² Flexible Cord		
2 Metre	10	K4P222M1DCA ★
3 Metre	5	K4P223M1DCA ★
4 Metre	5	K4P224M1DCA ★
5 Metre	5	K4P225M1DCA ★

4 Pin (Including Auxiliary) Pre-wired 6A Plugs - White

Characteristics:

- Klik auxiliary 6A pre-wired plugs are used to connect luminaires to a Klik ceiling rose or marshalling box.
- Complies with BS 6972 and BS 5733:2010.
- Connections to luminaire is made via pre wired plug and lead. All leads are low smoke zero halogen and carry CPR rating Dca- S1b, d2, a2
- All leads have prepared ends.

Description	Quantity	LSZH Cat ref.
6A Pre-wired Plugs with 0.75mm² Flexible Cord		
2 Metre	10	K4P64AX2M075DCA ★
3 Metre	5	K4P64AX3M075DCA ★
4 Metre	5	K4P64AX4M075DCA ★
6A Pre-wired Plugs with 1mm² Flexible Cord		
2 Metre	10	K4P64AX2M1DCA ★
3 Metre	5	K4P64AX3M1DCA ★
4 Metre	5	K4P64AX4M1DCA ★
5 Metre	5	K4P64AX5M1DCA ★

4 Pin (Including Auxiliary) Pre-wired 6A Plugs - Red

Characteristics:

- Klik auxiliary 6A pre-wired plugs are used to connect luminaires to a Klik ceiling rose or marshalling box.
- Complies with BS 6972 and BS 5733:2010.
- Connections to luminaire is made via pre wired plug and lead. All leads are low smoke zero halogen and carry CPR rating Dca- S1b, d2, a2.
- All leads have prepared ends.

Description	Quantity	LSZH Cat ref.
6A Pre-wired Plugs with 0.75mm² Flexible Cord		
2 Metre	10	K4P64AXR2M075DCA ★
3 Metre	5	K4P64AXR3M075DCA ★
4 Metre	5	K4P64AXR4M075DCA ★
6A Pre-wired Plugs with 1mm² Flexible Cord		
2 Metre 1.00mm ² Flexible Cord	10	K4P64AXR2M1DCA ★
3 Metre 1.00mm ² Flexible Cord	5	K4P64AXR3M1DCA ★
4 Metre 1.00mm ² Flexible Cord	5	K4P64AXR4M1DCA ★
5 Metre 1.00mm ² Flexible Cord	5	K4P64AXR5M1DCA ★



PCR2000

3 Pin Plug-in Ceiling Rose & Cover

Characteristics:

- The 6A plug-in ceiling rose is used to offer a pluggable connection for luminaires. The luminaire can be connected and disconnected under load.
- Complies with BS 5733:2010.
- Sockets have 4 terminations: line, neutral, CPC and loop-in.
- Plugs have 3 terminations: line, neutral and CPC.
- Fixing: 50.8mm Standard Diagonal (BESA).

Description	Quantity	Cat ref.
3 Pin Plug-in Ceiling Rose White	10	PCR2000
3 Pin Plug-in Ceiling Rose Black	10	PCR2000BLACK



CR64AX/R

4 Pin (including Auxiliary) Plug-in Ceiling Rose & Cover

Characteristics:

- Klik 6A pre-wired plug-in ceiling roses are used to connect luminaires to a fixed wiring installation. Auxiliary contact available, a typical use is for emergency lighting.
- Complies with BS 6972 and BS 5733:2010.
- Sockets have 5 terminations: line, neutral, CPC, auxiliary and loop-in.
- Plugs have 4 terminations: line, neutral, CPC and auxiliary.

Description	Quantity	Cat ref.
4 Pin Plug-in Ceiling Rose White	10	CR64AX
4 Pin Plug-in Ceiling Rose Red	10	CR64AX/R



A1/R

Spare Ceiling Rose Cover

Description	Quantity	Cat ref.
Ceiling Rose Cover White	10	A1
Ceiling Rose Cover Red	10	A1/R
Ceiling Rose Cover Black	10	A1BLACK



P22

3 Pin Plug

Characteristics:

- Klik 3 pin plugs are used to connect into a Klik socket giving a pluggable connection to luminaires.
- Complies with BS 6972 and BS 5733:2010.
- Suitable for use with any Klik 3 or 4 pin socket.
- **P22** plug is supplied in a plug-in ceiling rose, cat ref. **PCR2000**.
- Plugs have 3 terminations: line, neutral and CPC.

Warning: Plugs must not be fitted on the supply side of any installation - they must be connected to the load / fitting / appliance side of the installation.

Description	Quantity	Cat ref.
3 Pin Plug White	10	P22
3 Pin Plug Black	10	P22BLACK



P64AX

4 Pin (Including Auxiliary) Plug

Characteristics:

- Klik plugs with auxiliary pin are used to connect into the Klik sockets giving a pluggable connection to luminaires.
- Complies with BS 6972 and BS 5733:2010.
- Suitable for use with any Klik 4 pin sockets.
- **P64AX** plug is supplied in a plug-in ceiling rose, Cat. ref. **CR64AX**.
- Plugs have 4 terminations: line, neutral, CPC and auxiliary.

Warning: Plugs must not be fitted on the supply side of any installation - they must be connected to the load / fitting / appliance side of the installation.

Description	Quantity	Cat ref.
4 Pin Plug White	10	P64AX
4 Pin Plug Red	10	P64AX/R

3 Pin Plug Socket Outlets

Characteristics:

- 6A socket outlets are used in conjunction with 6A plugs to provide a pluggable connection to luminaires.
- Complies with BS 6972 and BS 5733:2010.
- Suitable for use with standard Klik 3 pin plug.
- **S27** socket is supplied in plug-in ceiling rose, Cat. Ref. **PCR2000**.
- **S27** socket will accept **A1** cover.
- **S26/TC** socket is an **S26** architrave socket pre-assembled with a trunking clamp.

Description	Quantity	Cat ref.
Ultra Flush Socket White	10	S21
Architrave Socket White	10	S26
Architrave Socket comes with Trunking Clamp	10	S26/TC
3 Pin Round Socket White	10	S27
Ultra Flush Round Socket White	10	S28



S27

4 Pin (Including Auxiliary) Plug Socket Outlets

Characteristics:

- Klik auxiliary 6A socket outlets are used in conjunction with Klik auxiliary 6A plugs to provide a pluggable connection to luminaires.
- Complies with BS 6972 and BS 5733:2010.
- Suitable for use with standard Klik 4 pin plug.
- **S64AX** socket is supplied in plug-in ceiling rose, Cat. Ref. **PCR2000**.
- **S64AX** socket will accept **A1** cover.
- **S65AX** socket is a square variant.
- All sockets have 5 terminations: line, neutral, CPC, auxiliary and loop-in.
- Can be used with Klik 3 or 4 pin plug.

Description	Quantity	Cat ref.
4 Pin Round Socket White	10	S64AX
4 Pin Round Socket Black	10	S64BLACK



S64AX

Moulded Mounting Boxes

Description	Quantity	Cat ref.
Round Surface Box White	10	MB2



MB2



EE815

Occupancy Sensors with Remote Programming & Control Options

Characteristics:

- Comes complete with integral photocell and the facility for wall switch override.
- Can be programmed for absence or presence.
- Range 7m diameter for large movements, 5m diameter for small movements.
- Factory presets, lux = 400, time = 20 min, presence detection.

Description	Cat ref.
Flush Mounted Standard Occupancy Sensor (without cable)	EE815



EE807

EE808

Remote Controls for Sensors

Characteristics:

- **EE807** programming tool is easy to use with 2 memory settings to enable repeatability.
- **EE808** remote control comes with a wall mounting bracket for storage and allows room occupant to have control of lighting output.

Description	Cat ref.
Programming Tool	EE807
Remote Control	EE808



EE005

Accessories

Description	Cat ref.
Backbox Accessory for Surface BESA Detectors	EEK005



EE804A

Occupancy/Movement Sensors

Characteristics:

- Adjustment achieved by potentiometer only
- Automatic switching of electric loads depending on heat motion and ambient brightness
- **EE804A**: Surface-mounted installation
- **EE805A**: Cavity/Flush installation (75mm hole diameter)
- Combination of presence and motion detector with enhanced detection sensitivity in the central presence-detection area
- Response brightness adjustable
- Delay time adjustable
- Coverage 360 degrees, Diameter 6m @ 2.5m, (motion) enhanced detection area 4m Diameter (presence) @ 2.5m
- Factory presets: Lux = 200, Time = 3 Minutes

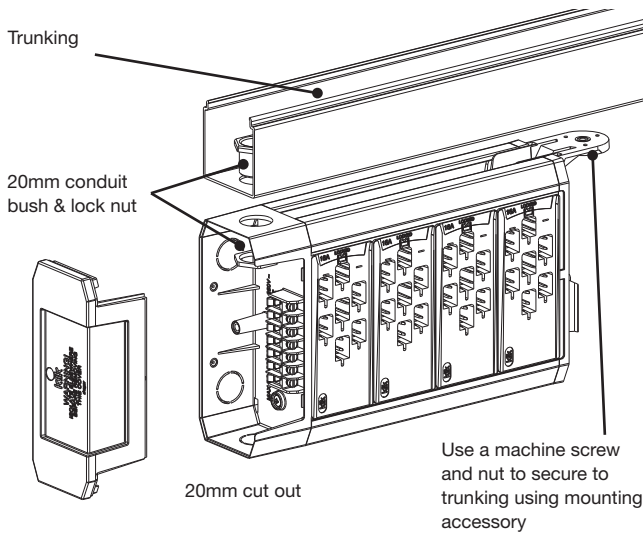
Description	Cat ref.
Occupancy/Movement Detector 360° Surface Mounted	EE804A
Occupancy/Movement Detector 360° Flush Mounted	EE805A



EE805A

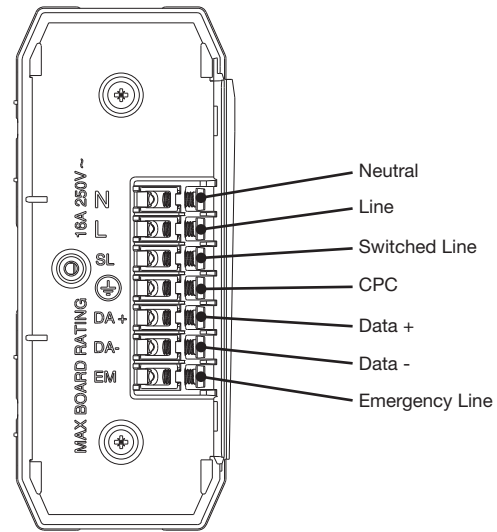
Mounting Options for Trunking

Mounting Accessory can be clipped into the rear or top channel slot. It can be easily removed by inserting a screwdriver in the RELEASE slot.



Fixed Wiring Connection

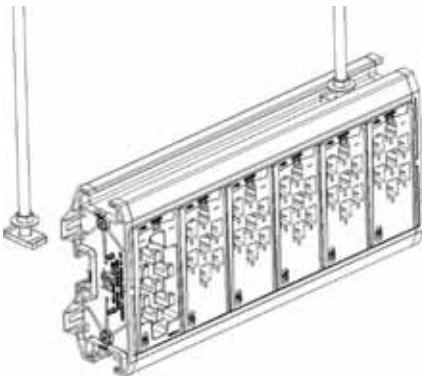
Klik 7 Pin LMB has seven screw terminals available to the installer and are arranged in the end cap as per diagram. DA+/DA- connections can be used for DALI/DSI control.



Mounting Options for Drop Rod (Lighting Marshalling Box)

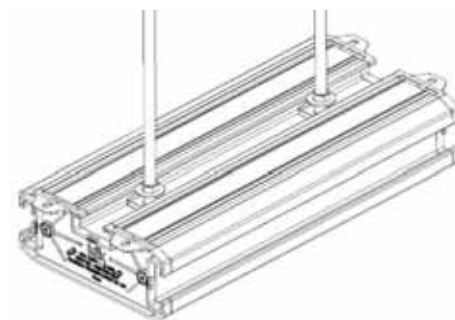
Option 1.

Klik 7 Pin LMB features open ends to allow you to slide the box into position before tightening for easier installation, or push the box up on to the nut and rotate to locate and tighten to secure.



Option 2.

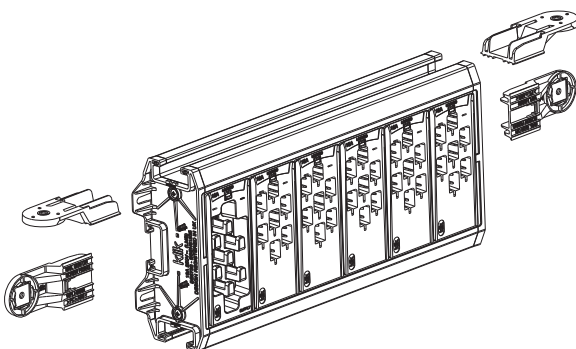
Single sided LMB can be mounted from the top as option 1 or from the rear as shown. Note: Double sided LMBs can only be mounted with option 1.



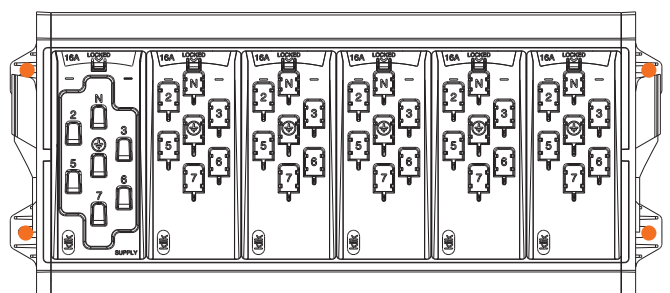
Mounting Options for Wall & Ceiling

Klik 7 Pin LMB includes the Klik mounting accessory, this makes it much easier to mount LMB with Nail Guns or traditional fixings. 2 accessories are included with each LMB. Mounting Accessory can be clipped into the rear or top channel slot. It can be easily removed by inserting a screwdriver in the RELEASE slot.

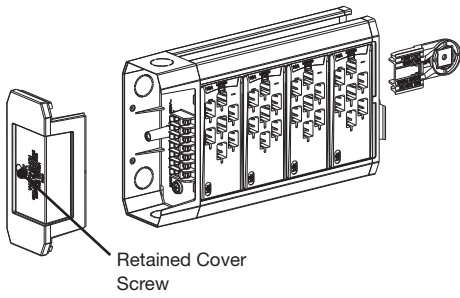
Note: Double sided LMB can only be mounted on top channel slot.



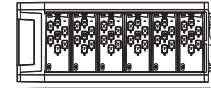
Screw mounting tabs (x4)



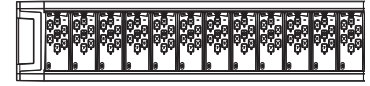
Lighting Marshalling Boxes (LMB) - Fixed Wiring
16A Rated LMB Complying to BS 5733:2010



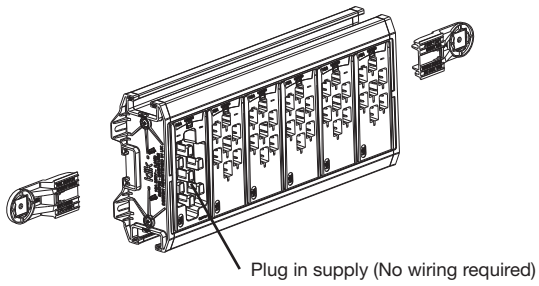
KLMB6W



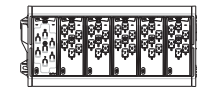
KLMB12W



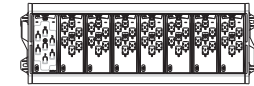
Lighting Marshalling Boxes (LMB) - Pluggable
16A Rated LMB Complying to BS 5733:2010



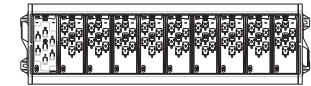
KLMB5P



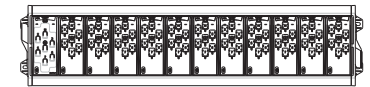
KLMB7P



KLMB9P

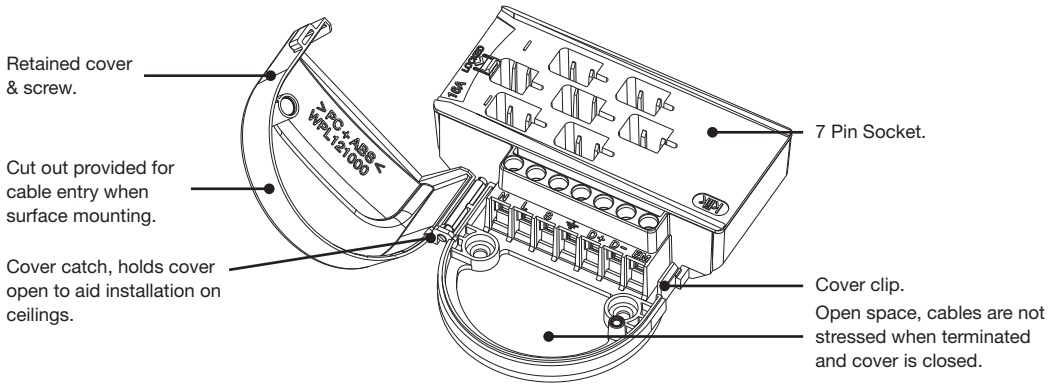


KLMB11P

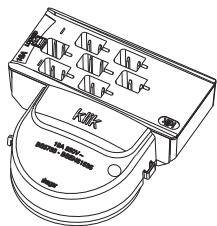


Previous Reference	Description	New Reference	New Description
K7B3M075W	6A Lighting Lead 3m 0.75mm 3 Core P-W	K7B3M075WDCA ★	6A Lighting Lead 3m 0.75mm 3 Core P-W
K7B3M1W	10A Lighting Lead 3m 1mm 3 Core P-W	K7B3M1WDCA ★	10A Lighting Lead 3m 1mm 3 Core P-W
K7B5M075W	6A Lighting Lead 5m 0.75mm 3 Core P-W	K7B5M075WDCA ★	6A Lighting Lead 5m 0.75mm 3 Core P-W
K7B5M1W	10A Lighting Lead 5m 1mm 3 Core P-W	K7B5M1WDCA ★	10A Lighting Lead 5m 1mm 3 Core P-W
K7E3M15W	16A Lighting Lead 3m 1.5mm 3 Core P-W	K7E3M15WDCA ★	16A Lighting Lead 3m 1.5mm 3 Core P-W
K7E5M15W	16A Lighting Lead 5m 1.5mm 3 Core P-W	K7E5M15WDCA ★	16A Lighting Lead 5m 1.5mm 3 Core P-W
K7F5M1W	10A Switch Drop Lead 5m 1mm 4 Core P-W	K7F5M1WDCA ★	10A Switch Drop Lead 5m 1mm 4 Core P-W
K7E7M15W	16A Luminaire Lead 7m 1.5mm ² 3 Core Plug to Wire	K7E7M15WDCA ★	16A Luminaire Lead 7m 1.5mm ² 3 Core Plug to Wire
K7F10M1W	10A Switch Drop Lead 10m 1mm 4 Core P-W	K7F10M1WDCA ★	10A Switch Drop Lead 10m 1mm 4 Core P-W
K7F15M1W	10A Switch Drop Lead 15m 1mm 4 Core P-W	K7F15M1WDCA ★	10A Switch Drop Lead 15m 1mm 4 Core P-W
K7J3M1W	10A Lighting Lead 3m 1mm 4 Core P-W	K7J3M1WDCA ★	10A Lighting Lead 3m 1mm 4 Core P-W
K7J5M1W	10A Lighting Lead 5m 1mm 4 Core P-W	K7J5M1WDCA ★	10A Lighting Lead 5m 1mm 4 Core P-W
K7P1M075W	6A Lighting Lead 1.5m 0.75mm 5 Core P-W	K7P1M075WDCA ★	6A Lighting Lead 1.5m 0.75mm 5 Core P-W
K7P1M15W	16A Lighting lead 1m 1.5mm 5 core P-W	K7P1M15WDCA ★	16A Lighting lead 1.5m 1.5mm 5 core P-W
K7P1M1W	10A Lighting lead 1m 1mm 5 core P-W	K7P1M1WDCA ★	10A Lighting lead 1.5 1mm 5 core P-W
K7P3M075W	6A Lighting Lead 3m 0.75mm 5 Core P-W	K7P3M075WDCA ★	6A Lighting Lead 3m 0.75mm 5 Core P-W
K7P3M15W	16A Lighting Lead 3m 1.5mm 5 Core P-W	K7P3M15WDCA ★	16A Lighting Lead 3m 1.5mm 5 Core P-W
K7P3M1W	10A Lighting Lead 3m 1mm 5 Core P-W	K7P3M1WDCA ★	10A Lighting Lead 3m 1mm 5 Core P-W
K7P5M075W	6A Lighting Lead 5m 0.75mm 5 Core P-W	K7P5M075WDCA ★	6A Lighting Lead 5m 0.75mm 5 Core P-W
K7P5M15W	16A Lighting Lead 5m 1.5mm 5 Core P-W	K7P5M15WDCA ★	16A Lighting Lead 5m 1.5mm 5 Core P-W
K7P7M15W	16A Lighting Lead 7m 1.5mm 5 Core P-W	K7P7M15WDCA ★	16A Lighting Lead 5m 1.5mm 5 Core P-W
K7P5M1W	10A Lighting Lead 5m 1mm 5 Core P-W	K7P5M1WDCA ★	10A Lighting Lead 5m 1mm 5 Core P-W
K7P7M1W	10A Lighting Lead 7m 1mm 5 Core P-W	K7P7M1WDCA ★	10A Lighting Lead 7m 1mm 5 Core P-W
K7T1M075W	6A Lighting Lead 1.5m 0.75mm 6 Core P-W	K7T1M075WDCA ★	6A Lighting Lead 1.5m 0.75mm 6 Core P-W
K7T1M1W	10A Lighting Lead 1.5m 1mm 6 Core P-W	K7T1M1WDCA ★	10A Lighting Lead 1.5m 1mm 6 Core P-W
K7T3M075W	6A Lighting Lead 3m 0.75mm 6 Core P-W	K7T3M075WDCA ★	6A Lighting Lead 3m 0.75mm 6 Core P-W
K7T3M1W	10A Lighting Lead 3m 1mm 6 Core P-W	K7T3M1WDCA ★	10A Lighting Lead 3m 1mm 6 Core P-W
K7T5M075W	6A Lighting Lead 5m 0.75mm 6 Core P-W	K7T5M075WDCA ★	6A Lighting Lead 5m 0.75mm 6 Core P-W
K7T7M075W	6A Lighting Lead 7m 0.75mm 6 Core P-W	K7T7M075WDCA ★	6A Lighting Lead 7m 0.75mm 6 Core P-W
K7T5M1W	10A Lighting Lead 5m 1mm 6 Core P-W	K7T5M1WDCA ★	10A Lighting Lead 5m 1mm 6 Core P-W
K7B5M15W	16A Lighting Lead 5m 1.5mm ² 3 Core Plug to Wire	K7B5M15WDCA ★	16A Lighting Lead 5m 1.5mm ² 3 Core Plug to Wire
K7Z3M15P	16A Lighting Link Lead 3m 1.5mm 7 Core P-P	K7Z3M15PDCA ★	16A Lighting Link Lead 3m 1.5mm 7 Core P-P
K7Z5M15P	16A Lighting Link Lead 5m 1.5mm 7 Core P-P	K7Z5M15PDCA ★	16A Lighting Link Lead 5m 1.5mm 7 Core P-P

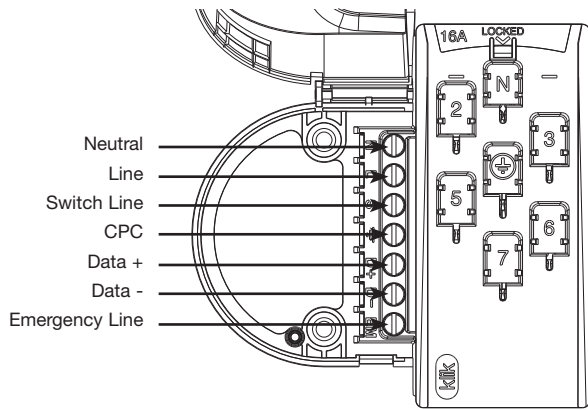
KLPCR - Surface Mount Connector



PCR can be mounted in two ways, firstly on to conduit box or secondly direct on to a surface.



Terminating cables.
Terminal screws are retained in pockets.
Max Terminal Capacity 2x4mm²
Conductor strip length: 10mm.

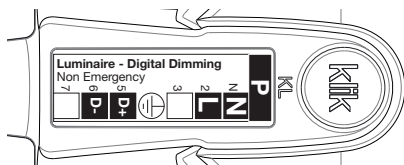


K7PLUG Wireable Plug Configurations and Labels

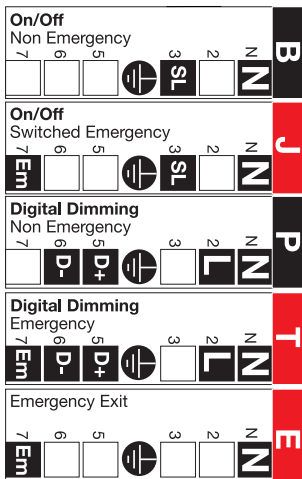
Self Adhesive ID Labels:

Apply label for the type of lead you are making.

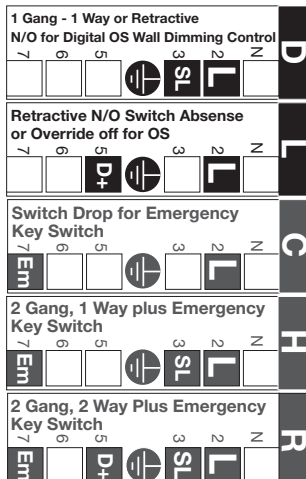
Lighting configurations for on / off and dimmable solutions.



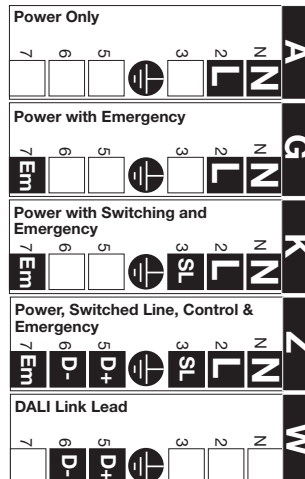
Luminaire Connections



Switch Drops

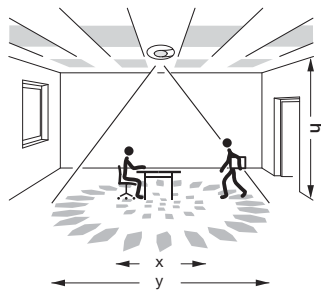


Link Lead



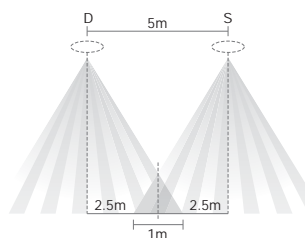
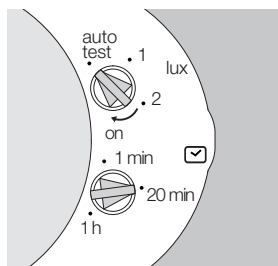
EEK Sensors

Detection areas

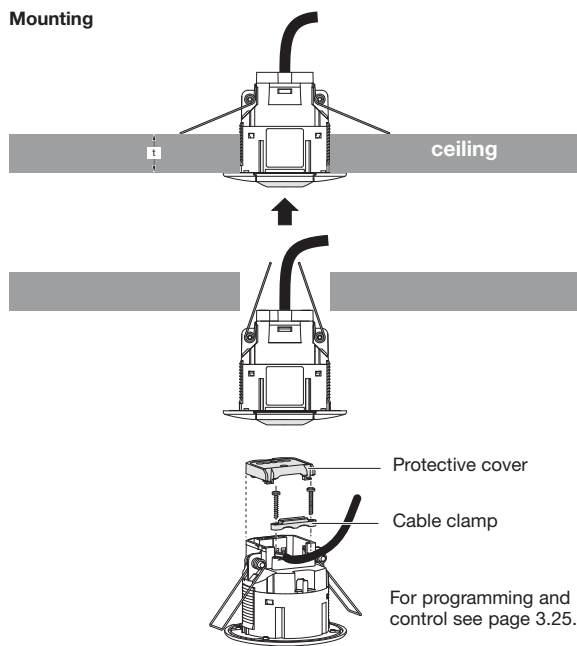


H	2.5m	3m	3.5m
X	5m	5m	5m
Y	7m	8m	9m

**Settings EEK513P/EEK515P
EEK523P/EEK525P**

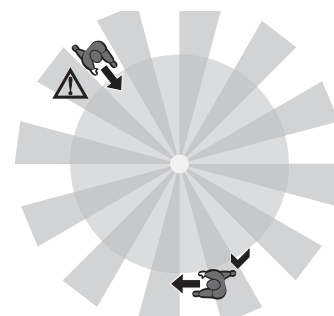
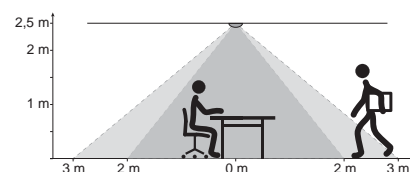
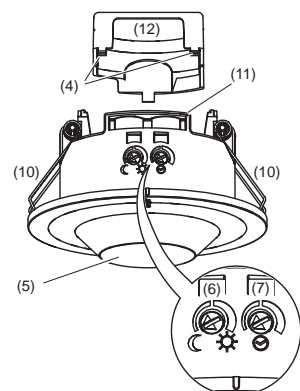
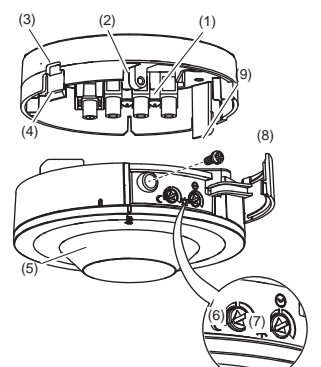


Mounting



For programming and control see page 3.25.

EE804A / EE805A Sensors



1. Connecting terminals
2. Mounting device locking screw
3. Release opening
4. Fastening grids
5. Detector lens
6. Response brightness potentiometer
7. Potentiometer delay time

8. Cover for potentiometer
9. Locking screw
10. Fixing springs
11. Strain relief with mounting device for cable ties
12. Cover for connection compartment

Klik 7 Pin Product Standards

Product Description	Klik Product identification	BS number	Description
Klik 7 pin Marshalling Boxes	KLMB*W	BS 5733:2010	General Requirements for Electrical Accessories.
Occupancy Sensor	EEK*	IEC 60669-1, IEC 60669-2-1	Switches for household & similar fixed electrical installations Part 2-1 for Electronic switches.
Conduit Box / Surface Connector	KLPCR/7	BS 5733:2010	General requirements for Luminaire supporting couplers for domestic, light industrial & commercial use.
Luminaire Leads	KLB*, KLJ*, KLP*, KLT*	BS 5733:2010 BS EN 61535	Thermosetting insulated & thermoplastic sheathed cables for voltages up to & including 450 / 750 V for electric power & lighting & having low emission of smoke & corrosive gases when affected by fire.
LSOH Flexible Cord	Supplied with luminaire lead	BS 6500:2000 BS 7211:2012	Thermosetting insulated & thermoplastic sheathed cables for voltages up to & including 450 / 750 V for electric power & lighting & having low emission of smoke & corrosive gases when affected by fire.

Klik 4 Pin Product Standards

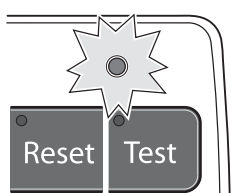
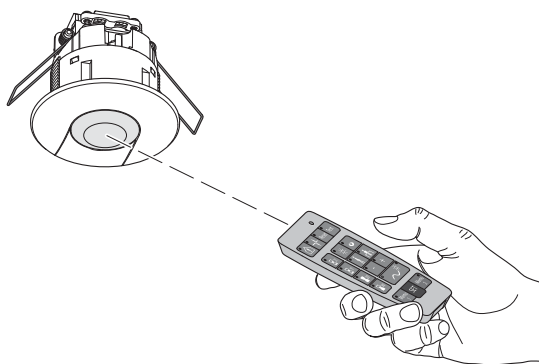
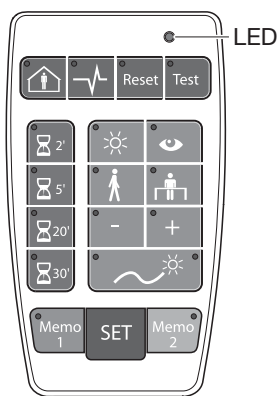
Product Description	Klik Product identification	BS number	Description
Klik Distribution Boxes	KLDS KLMB	BS 5733:2010	General requirements for Electrical Accessories
Occupancy Sensor	EEK*W	BS EN 60669-1, BS EN 60669-2-1	Switches for household & similar fixed electrical installations Part 2-1 for Electronic switches.
Mounting Boxes	MB	BS 5733:2010	General requirements for Electrical Accessories
Klik Ceiling Roses, Plugs, Outlets & Pre-Wired Leads	S, P, PCR K7*	BS 5733:2010 BS 6972:1988	General requirements for Electrical Accessories General requirements for Luminaire supporting couplers for domestic, light industrial & commercial use Installation couplers intended for permanent connection in fixed installations
LSF Flexible Cord	LS0H	BS 6500:2000 BS 7211:1998	Thermosetting insulated & thermoplastic sheathed cables for voltages up to & including 450 / 750 V for electric power & lighting & having low emission of smoke & corrosive gases when affected by fire.

Product Materials

Klik plugs and sockets feature solid brass terminals and phosphor bronze contacts for good conductivity. Moulded components are manufactured from high quality thermoplastics.

Klik Terminal Capacities

	Number of Conductors				
	0.75mm ²	1.0mm ²	1.5mm ²	2.5mm ²	4.0mm ²
Socket Outlets	-	5	4	3	2
Plugs P22, P64X, P26 K7PLUG	1	1	1	-	-



The acknowledgment LED blinks during the sending of the IR message.

Technical specification
Power supply: 1x 3V CR2032
Shelf life of battery: 2½ years
Protection index: IP 30

Use

The remote control allows the user to set or modify presence detector settings. When the potentiometer is on auto test it allows single and multiple settings. The SET key is used to send the IR messages to the occupancy sensors. Multiple settings can be stored in Memo 1 and Memo 2 and re-called to set several devices.

Single setting

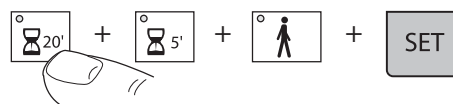
Example: reset



Multiple settings

Define the parameters to be changed and press SET to send.

Example: for 25 minutes and corridor use, press 20', 5' and corridor.

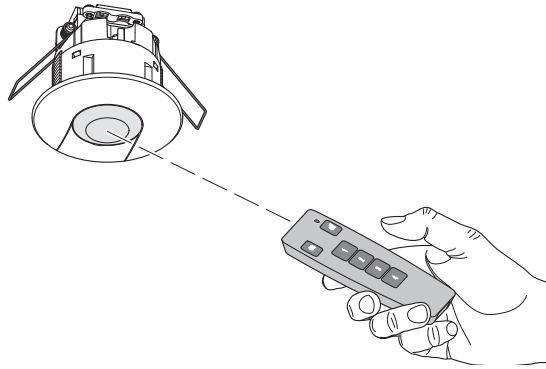
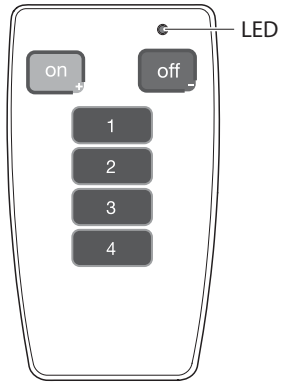


In the case of 2 opposite states the green LED denotes ON and red LED denotes OFF (except Presence / Absence).

When no function is selected all LED's are OFF.

Settings available

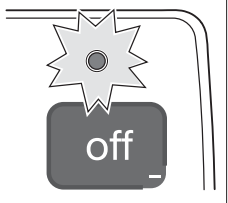
Key	Meaning	Indication	Function
	Presence	Green LED on	Presence on (automation mode)
	Absence	Red LED on	Absence on (semi automatic mode)
	Power Up	Green LED on	The light is automatically switched on for 30 seconds after power up
		Red LED on	During warm up phase, the light output is off
Reset	Reset	LED on	To return to factory settings (Lux = 400, time = 20 min, presence on, power up off and cell active)
Test	Test	LED on	To validate the detection area
	Time	LED on	To set the time It is possible to add times together e.g. press 2' and 5' for a time value of 7'
	Day level 1000 Lux	LED on	To set the value to 1000 Lux
	Learn	LED on	To learn the current Lux level
	Corridor 200 Lux	LED on	To set the value to 200 Lux
	Office 400 Lux	LED on	To set the value to 400 Lux
+	Lux +	LED on	To increase the Lux level (+100)
-	Lux -	LED on	To decrease the Lux level (-100)
	Active cell	Green LED on	The light is continuously measured
	Passive cell	RED LED on	The sensor will not switch the light off even if the ambient luminosity is sufficient
Memo and set Key	Meaning	Indication	Function
Memo 1	Press	LED is on until a setting is changed	To load/unload Memo 1
	Long press	LED is on for 5s, then will blink until released. After release, the LED goes off in case of setting change	To save the current setting as Memo 1
Memo 2	Press	LED is on until a setting is changed	To load/unload Memo 2
	Long press	LED is on for 5s, then will blink until released. After release, the LED goes off in case of setting change	To save the current setting as Memo 2
SET	Short press (<5s)	LED flashes	To send an IR message of the current setting
	Long press (>5s but <10s) only available if no setting active	LED blinks until release press	To toggle automatic mode on DALI/DSI



Use

The remote control allows the user to set or modify settings on the presence detectors **EEK513W** and **EE815**.

Each button corresponds to a command.






The acknowledgment LED blinks during the sending of the IR message.






Technical specification

Power supply: 1x 3V CR2032
Shelf life of battery: 3½ years
Protection index: IP 30

Settings available

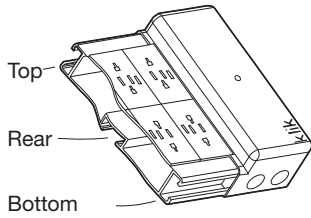
Key	Action	Function	Product Type
on +	Short Press (< 5s.)	On	EE815
	Long Press (> 5s.)	Dim up	EE815
off -	Short Press	Off	EE815
	Long Press (> 5s.)	Dim down	EE815
1	Short Press	To start scene 1	
2	Short Press	To start scene 2	
3	Short Press	To start scene 3	
4	Short Press	To start scene 4	

	Klik 4		
			
	Wireable, Flush Mount	Wireable, Surface Mount	Wireable, Flush Mount
Technical characteristics	EE815	EE804A	EE805A
Supply voltage	230V~ 50Hz	230V - 50Hz	230V - 50Hz
Detection type	Presence	Motion / Presence	Motion / Presence
Parasitic power	270mW	0.3W	0.3W
Detection (Length)	7m	6m	6m
Detection (Width)	7m	6m	6m
Detection angle	360°	360°	360°
Detection frequency	-	-	-
Receiver class	-	-	-
Standby consumption	2.4VA/270mW	-	-
	1min to 1hour	5s - 30min	5s - 30min
Duration of time delay (S2)	-	-	-
Luminosity threshold	5 to 1000 Lux	5 - 1000	5 - 1000
Recommended installation height	2.5m	2.5m	2.5m
Operating temperature	-10°C to +45°C	-5 - +45	-5 - +45
Storage temperature	-20°C to +60°C	-25 - +70	-25 - +70
Insulation class	II	11	11
Protection rating	IP41	IP21	IP21
Standards	BS EN 60669-1 BS EN 60669-2-1		
Pollution degree	2		
Connection stranded	0.5mm ² to 1.5mm ²	1mm - 2.5mm	1mm - 2.5mm
Connection solid	0.5mm ² to 1.5mm ²	1mm - 2.5mm	1mm - 2.5mm
Switching channel	1	1	1
Lighting loads 230V~ AC1	16A	10A	10A
Switching capacity (Incandescent)	2300W	2300W	2300W
Halogen lamps LV	-		
Halogen ELV (12 or 24V) via ferromagnetic or electronic transformer	1500W	2300W	2300W
Compact fluorescent	23 X 23W	20 x 20W	20 x 20W
LED	20 X20W	20 x 20W	20 x 20W
Parallel compensated fluorescent tubes	1000W	1000W	1000W
Fluorescent tubes non-compensated	1000W	1000W	1000W
Electronic ballast	-	1000W	1000W
DSI/DALI ballast	-	-	-
Remote programming	EE807	-	-
Remote control	EE808	-	-
Adjustable shutters (supplied)	✘	✘	✘
Dimensions (L*W*H)	80 x 80 x 70mm	ø 100 x 50mm	ø 90 x 61mm

Klik 7		Special Applications			
					
Digital, Wireable, Flush	Wireable, Surface Mount, Corridor	Wireable, Surface Mount, Hyper Frequency	Wireable, Semi-Recessed, 1 / 2 Channel	Large area motion/presence detector 20 m Flush / surface	
EE815	EE880	EE883	EE810 / EE811	EER503/EER513	
230V~ 50Hz	230V~ 50Hz	230V~ 50Hz	230V~ 50Hz	230 V v, +10%/-15%,240 V v, +6/-6% 50/60 Hz	
Presence	Motion	Motion	Presence	Motion and presence detector	
60mW	1W	1W	1.2W		
7m	20m	1m to 8m	15.5m	20m	
7m	4m	1m to 8m	8m	10m	
360°	360°	360°	360°	360°	
-	-	5.8 Ghz ± 0.075 Ghz	-		
-	-	2	-		
60mW	1W	1W	1.2W	< 0.5 W	
1min to 1hour	5sec to 15 min	5sec to 15 min	1min to 30min		
-	-	-	30sec to 60min		
5 to 1000 Lux	2 to 2000 lux	2... 2000 lux	5 to 1200Lux		
2.5m	3 m	2.5 m	3 m		
-10°C to +45°C	20°C to +50°C	20°C to +50°C	0°C to +45°C		
-20°C to +60°C	35°C to +70°C	35°C to +70°C	10°C to +60°C		
II	II	II	II		
IP41	IP54	IP54	IP41		
BS EN 60669-1 BS EN 60669-2-1	BS EN 60669-1 BS EN 60669-2-1	BS EN 60669-2-1 EN 300 440-1 V1.3.1	BS EN 60669-1 BS EN 60669-2-1		
2	2	2	2		
0.5mm ² to 1.5mm ²	Max 1.5mm ²	Max 1.5mm ²	1mm ² to 4mm ²		
0.5mm ² to 1.5mm ²	Max 1.5mm ²	Max 1.5mm ²	1mm ² to 4mm ²		
1	1	1	1	2	
-	10A	10A	16A	2A	
-	2300W	2300W	2300W		
-	2300W	2300W	-		
-	1500VA	1500VA	1500W		
-	20 x 20W	20 x 20W	20 X 18W		
-	20 x 20W	20 x 20W	20 X 18W		
-	1000W/C=110µf	1000W/C=110µf	290W/C=32µf		
-	1200W	1200W	-		
-	580W	580W	1000W		
Yes (24)	-	-	-		
EE807	x	x	x	EE807	
EE808	x	x	x	EE808	
x	x	x	x		
80 x 80 x 70mm	125 x 125 x 60mm		110 x 110 x 70mm	(Ø x H) 85 x 75.9 mm flush mounted EER503 (Ø x H) 105 x 59.7 mm surface mounted EER513	

Mounting Methods

- Hanging from ceiling suspension system with Caddy Clips™
- Direct fixing to lighting trunking
- Direct fixing to ceiling or wall with No. 8 screws



Drop rods on sides



Screw to surface

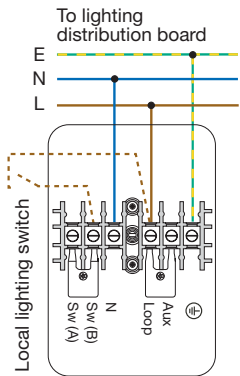


Drop rods on rear



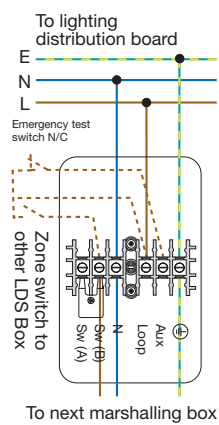
Local Lighting Switch Control

Permanent emergency feed



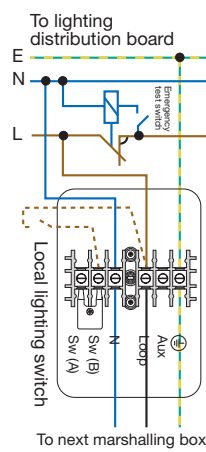
Local Lighting Switch Control

Centralised emergency test via key switch

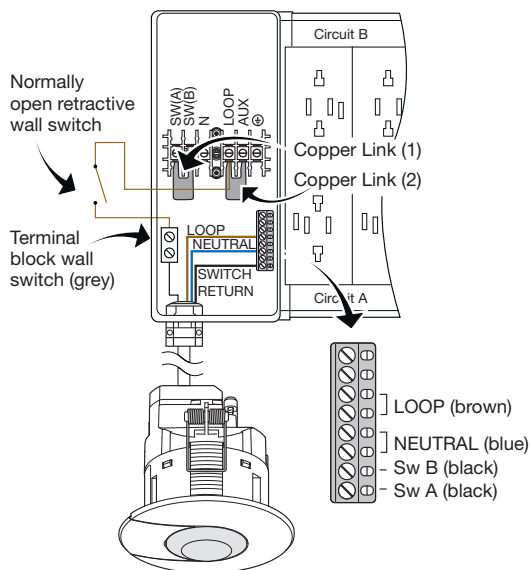


Zone Lighting Control

Local emergency test control

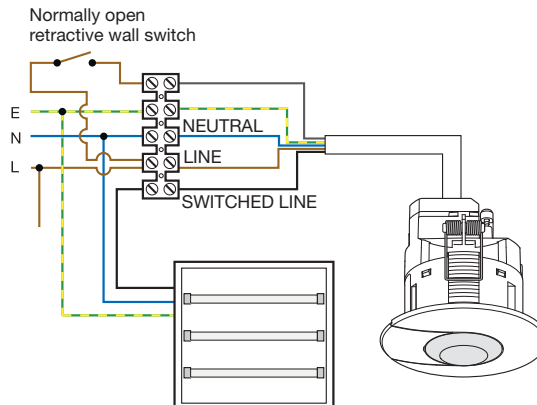


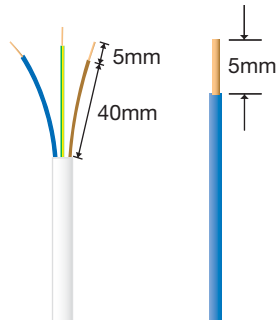
All ways switched by a single Hager occupancy sensor



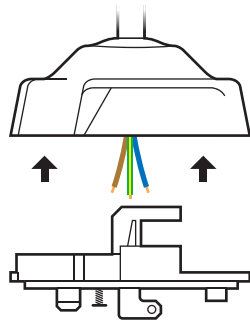
Switch wire to be connected as required.

Connected directly to a single luminaire

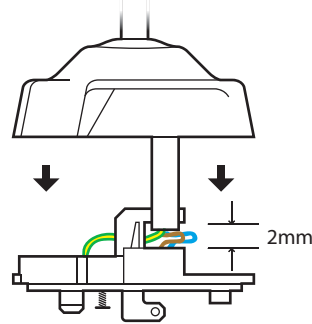




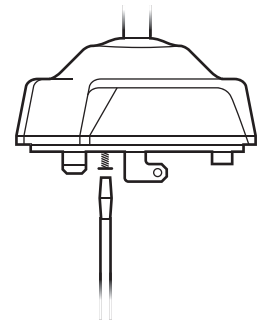
1. Strip cable as above -
Note: Trim cable tails to double over for better terminal contact.



2. Remove plug cover.
3. Pass cable through plug cover centre hole.

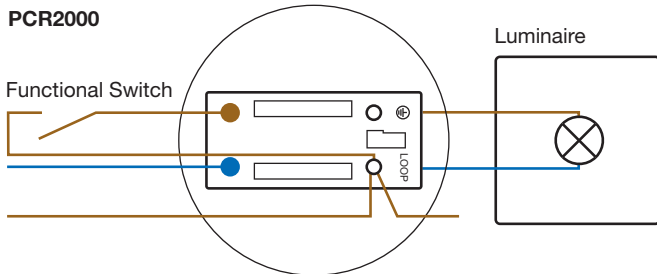


4. Terminate conductors into terminals.
5. Push outer sheath of cable firmly into jaws of sheath grip, making sure that at least 2mm of sheath protrudes below the grip.

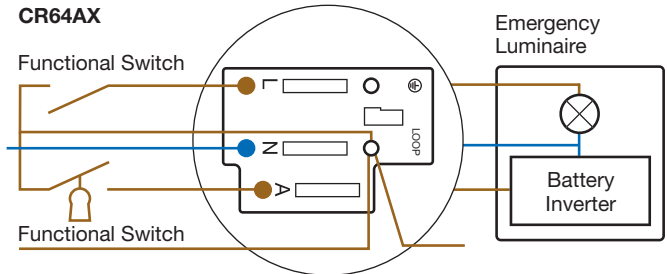


6. Refit cover.

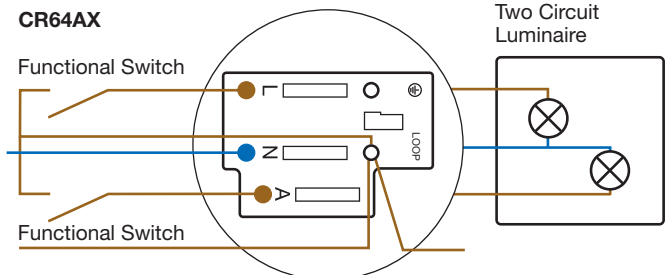
PCR2000



CR64AX



CR64AX



Note: earth connections omitted for clarity